

光线式冲床安全装置

Safety Light Curtains for Press



SE II

反射式冲床安全装置 Reflection Type Safety Light System

Model SEII-24/SEII-32/SEII-40/SEII-48



SE II 反射式冲床安全装置 Reflection Type Safety Light System

反射方式的最终方案

受到好评的SE型安全装置, 现又隆重推出为追求更高的安全性而经过改良的“SE II型”, 这是反射式的最终方案。顾客对安全所提的建议, 通过本公司积蓄的经验和技术变成了可能, 并在此被采用。一定会在提高冲床操作的安全方面发挥作用。

The Ultimate Reflection-type System

Introducing the SEII, the ultimate reflection-type Semi-light Curtain Safety System, an upgraded version of the popular SE model with improved safety features.

Using our accumulated safety engineering expertise and the latest in electro-optical technology, we are able to further address our customers' safety concerns.

For improved press operation safety, choose SEII.

规格 Specifications

光轴数	No. of Beams	: 6~12
防护长度	Protective Height	: 120~440 mm
光轴间隔(pitch)	Beam Spacing	: 40 mm
电源电压	Supply Voltage	: 110 VAC±10%
输出接点(独立)	Output Contact	: 1A, 1B (独立, Separate)
输出接点容量	Output Contact Rating	: 230 VAC, 7A (COSφ=1)
应答时间	Response Time	: Less than 20ms
消耗功率	Power Consumption	: 10~15 W
周围温度	Ambient Temperature	: -5 °C~50 °C

特长 Features

在内部追加安装了自我检测回路以后, 就能自动地检测电子回路, 监视操作的安全。

通过合理的设计, 与(旧型号)相比重量减少1/2。

与以前的SE型相比, 更不易受到外部散乱光的影响。

通过采用节省功能的电路, 成功地把耗电量减少一半。

光敏传感器变得越来越小型化, 作业面变成越加宽广。

由于采用特殊的过滤器, 提高了抗污和抗潮能力。

因为利用反射方式, 光轴对光非常简单。

Additional built-in self-check circuit checks electronic circuit automatically to monitor operation safety.

Efficient design reduces weight by 50% compared to conventional systems.

Negative effects of ambient light are reduced compared to the previous SE model.

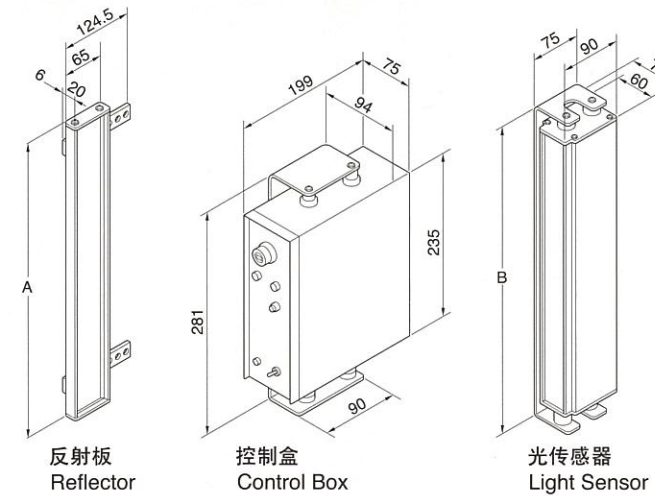
Energy-saving circuitry reduces power consumption by 50%.

Down-sized light sensor allows for an expanded working area.

Special filter improves strength against staining and tarnishing.

Reflection-type system allows for simple beam alignment.

外形尺寸 Dimensions



型式 MODEL	光轴间隔 Beam Pitch	光轴数 No. of Beams	防护高度 Protective Height	外形尺寸 Dimensions	
				A	B
SEII-24	40	6	200	308	326
SEII-32	40	8	280	398	406
SEII-40	40	10	360	478	486
SEII-48	40	12	440	528	566

●本公司的安全装置使用在日本以外的地区时, 请根据所在国家或地区的法律规定, 选择合适的机种进行安装。

●由于技术改良, 本产品的规格和构造有可能在不事先通知客户的情况下变更。

●In case our safety device will be used in other than Japan, proper selection and installation should be performed according to the local laws requirements.

●Specifications and configuration are subject to change without notice.

RIKEN OPTECH CORPORATION

2-6-9, Higashi Ohi, Shinagawa-ku, Tokyo, 140-8533 JAPAN

TEL: 81-3-3474-8602 FAX: 81-3-3450-5295

http://www.rikenoptech.com

Authorized Distributor: