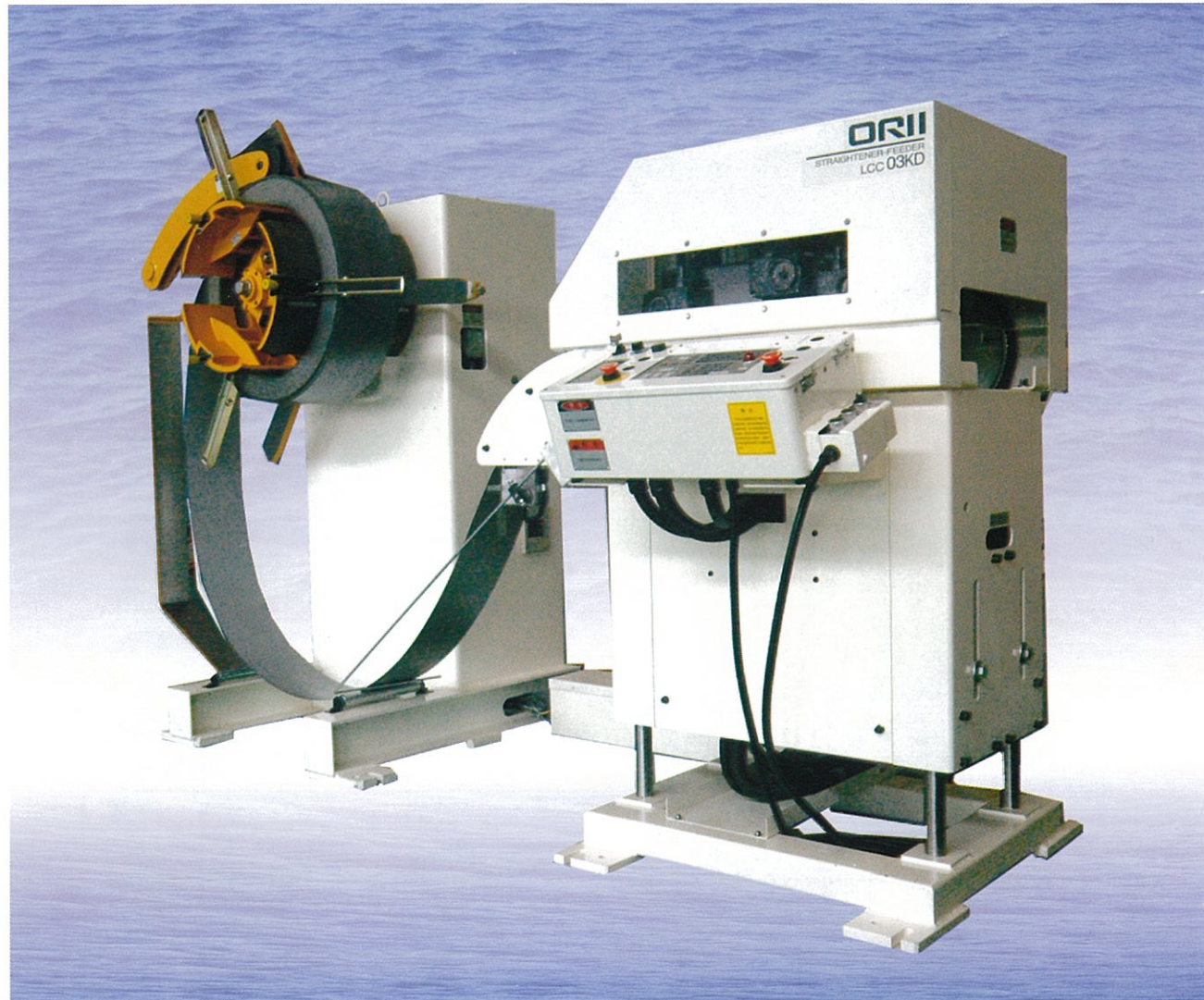


NC整平送料机

LCC03KD

STRAIGHTENER/FEEDER

ORII



机能装置

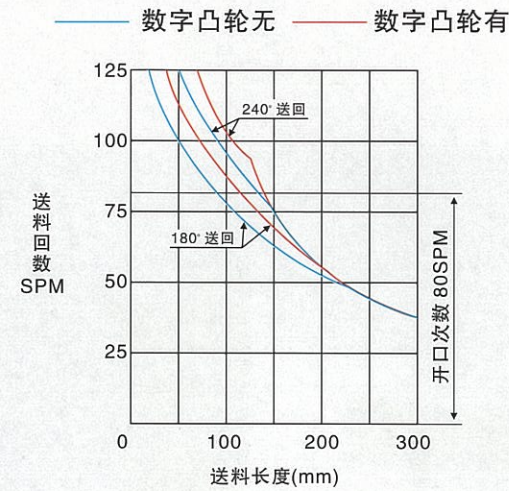
Optional equipment

镀硬铬/环型光电检知器

Hard chrome plated roll / loop control-photo sensor

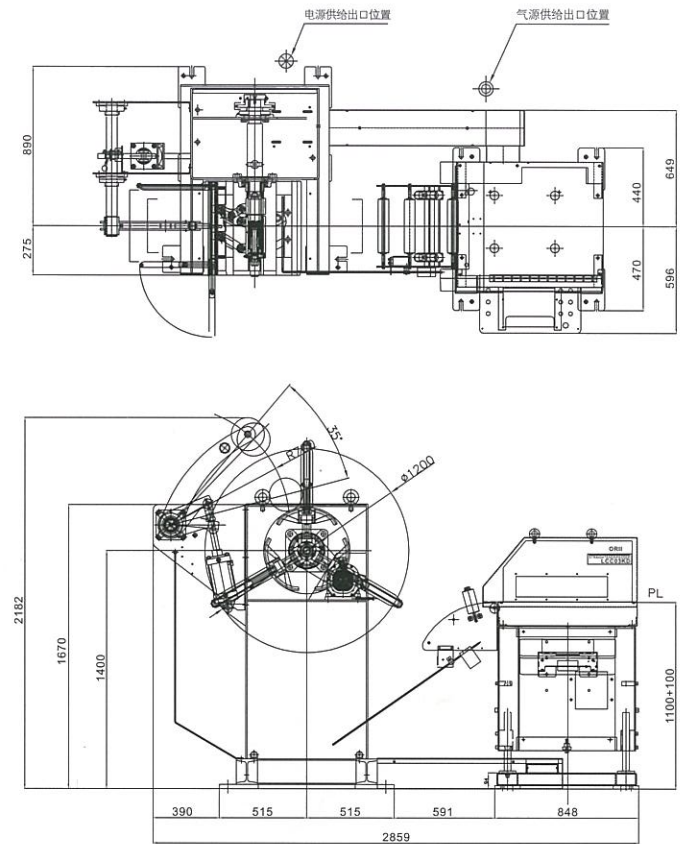
送料曲线图

Feed speed diagram



外形图

Major dimension



规格

Specifications

型号	Model	LCC03KD
板幅 (mm)	Stock width	50~300
板厚 (mm)	Stock thickness	0.3~3.2
卷材重量MAX. (kg)	Coil weight MAX.	*1 2500(2000)
卷材外径MAX. (mm)	Coil O.D. MAX.	1200
卷材内径 (mm)	Coil I.D.	508
最大送料长度 (mm)	Feed length	~400
生产线速度MAX. (m/分)	Line speed MAX.	~16
工作滚轮 (支)	Number of work rolls	上4/下3 upper4/lower3
送料滚轮 (组)	Feed roll Number	1
主电机 (kW)	Main motor	AC 1.8
料架扩充方式	Mandrel expansion	*1 手动(气压) By manual (pneumatic)
料架电机 (kW)	Reel motor	0.75
使用电源电压 (V)	Power supply	200/220
使用空气压 (Mpa)	Primary air	0.49

*1: (气压)是选装件。气压压缩时的卷材重量是()内的数值。

*1: (Pneumatic): Option in case of pneumatic mandrel expansion is provided, refer to coil weight ().

矫正能力

Straightening performance

板厚(mm)	Stock thickness	板幅(mm)	Stock width
0.3		300	
0.4			
0.6			
0.8			
1.0			
1.2		300	
1.4			
1.6			
2.0			
2.3			
3.2		100	

■ 上表中的降服点应为245N/mm²(拉伸强度为392N/mm²)
 ■ The above figures are the material having yield strength of 245N/mm² max (tensile strength of 392N/mm²).

※ 规格及外观由于改进有可能在未通知时变化。
 ※ Specifications are subject to change for improvement without notice

ORII & MEC
 广州欧立机电有限公司

ORII & MEC

广州欧立机电有限公司
 ORIIMEC CORPORATION OF GUANGZHOU CO., LTD.

地址: 广东省广州经济技术开发区东区建业六路9号
 邮编: 510530
 Add: No.9 South 6 Jianye Road. East Section of
 Guangzhou Economic & Technological
 Department Dist. Guangzhou City Guangdong,
 510530 China.
 TEL: +86-20-82265002
 FAX: +86-20-82266787