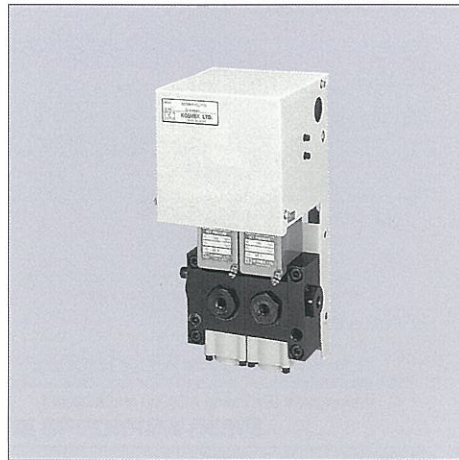
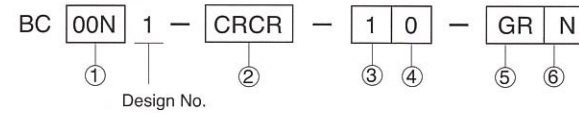


# MODEL BC UNIT

BC is an electrical controlled air-piloted non-leak hydraulic valve.



## MODEL CODE



- ① Normal Pressure Code\*1  
00M : 24.5 MPa (without temperature compensating valve)  
00N : 24.5 MPa (with temperature compensation valve)
- ② Circuit symbol  
C : Normal open circuit for clamp (single solenoid valve)  
D : Normal close circuit for die lifter (single solenoid valve)  
R : Pressure compensating valve (micro flow relief valve)  
U : Double solenoid circuit for clamp  
V : Double solenoid circuit for die lifter  
G : Normal open circuit for clamp\*2  
H : Normal close circuit for die lifter\*2  
\*2 When the U circuit is commonly used
- ③ Control voltage  
1 : AC100V  
2 : AC200V  
3 : AC110V  
4 : DC220V  
5 : DC 24V
- ④ Working Fluid  
0 : General working fluid (Refer to working fluid list in p24) --- Standard  
S : Silicone oil  
G : Water-Glycol
- ⑤ Options  
Blank : Standard  
GR : Provided with primary pressure gauge on the right  
GL : Provided with primary pressure gauge on the left  
H : Provided with piping seat on the left (PH port)
- ⑥ Gauge unit  
Blank : Standard MPa  
N : PSI unit and NPT piping exclusively used in USA  
P : PSI unit and Rc piping exclusively used in USA

Note \*1  
The marks of "Normal pressure code" change depending on the existence of the temperature compensating valve shown in "Circuit type" of BC Unit to be used.

## CIRCUIT SYMBOL

Action Symbol	Normal open (Circuit for clamp)	Normal close (Circuit for lifter)
C	1	-
CC	2	-
CCC	3	-
CCD	2	1
CCCD	3	1

\*Above is only a partial list of available circuits. For other circuit, please consult us.

\*When die lifter circuit only

BH unit is available.  
Model : BH00M1-D-0



## SPECIFICATIONS

Model		BC00M1-□□□-10	BC00N1-□□□R-10	
Working Pressure	(MPa)	24.5		
Rated Pressure	(MPa)	36.8		
Control Voltage		AC100V (60/50Hz)		
Working Temperature		0 - 70°C		
Working Fluid		ISO-VG-32 or equivalent hydraulic fluid		
Frequency of Use		2.5min/time : 20times/day		
Main Components	Valve	Model	BA5011-0	BA5011-0/BA5R11-0
		Orifice	12.6mm <sup>2</sup> (P→A)	52.8mm <sup>2</sup> (A→R)
		Operating Pressure Ratio	1/62.5	
	Pressure Switch	Clamp Circuit	JB2800-M0	
		Purpose/Set Pressure	Check inc.pressure/INC. 17.6MPa	
		Lifter Circuit	JB1000-M0	
Relief Valve	Purpose/Set Pressure	Check dec.pressure-DEC. 2.94MPa		
	Model	-	BR5N11-0	
	Set Pressure	-	24.5 <sup>+24.5</sup> <sub>0</sub> MPa	

\*1. For other fluids, consult us.

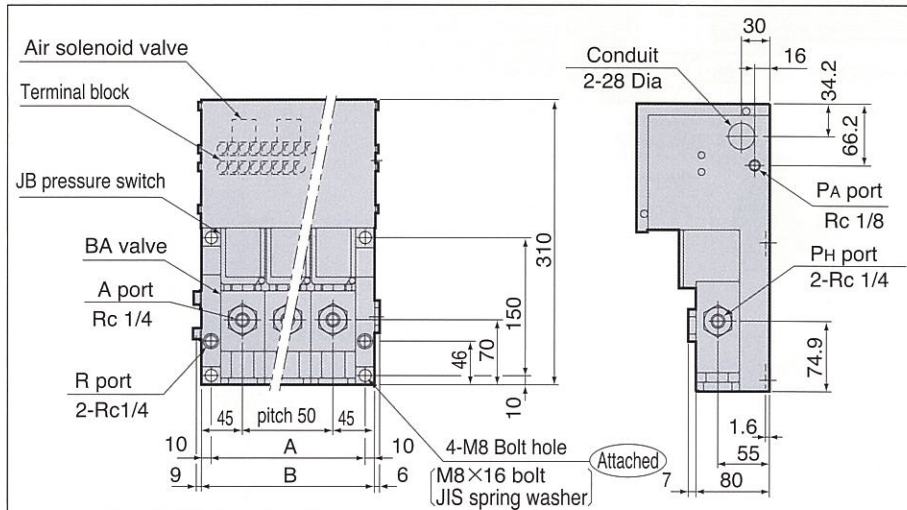
\*2. If fluid viscosity is higher, action will be slower.

\*3. Action at low temperature will be slower as fluid viscosity is higher.

\*4. Auto drain type air filter should be used when air supply has moisture.

\*5. Working pressure must be kept within working range of valve. Higher pressure will damage the seals.

## OUTLINE DIMENSIONS

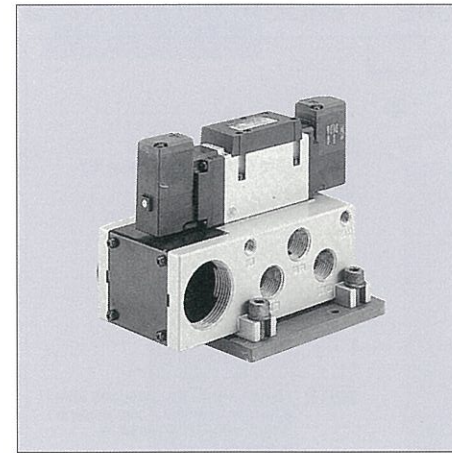


## OUTLINE DIMENSIONS

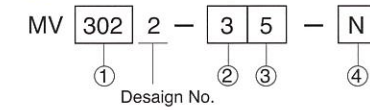
Circuits	2	3	4
A	140	190	240
B	120	170	220

# MODEL MV VALVE UNIT

MV valve is an air control valve for GD and GE clamps.



## MODEL CODE



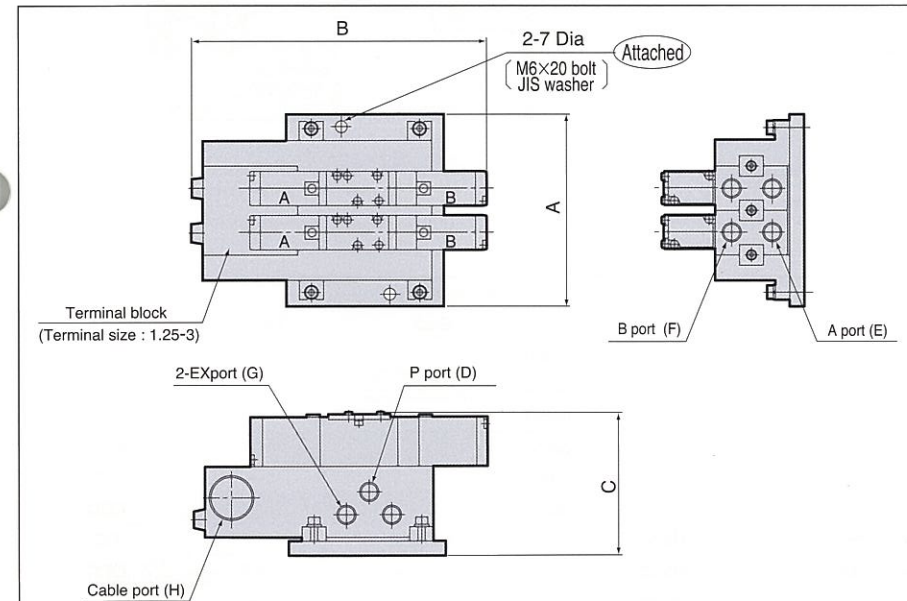
- ① Size Designation  
301 : For small and medium clamps  
302 : For large clamps  
\*Please consult us when a large number of clamps are used
  - ② Number of Control Circuits  
1 : Circuit of upper or lower die only  
2 : 2 circuits; for upper and lower dies or cross circuit  
3 : 3 circuits; for upper die cross circuit and one lower die circuit  
\*Please contact us for other circuits
  - ③ Control voltage  
1 : AC100V  
2 : AC200V  
5 : DC 24V  
\*Please contact us for other voltage
  - ④ Options  
Blank : standard  
N : NPT port \*1
- \*1 When "N" is selected from the options, dimensions are described in inch in documents such as the specifications.

## SPECIFICATIONS

Model	MV3012	MV3022
Type	Metal seal /5 port piloted	
Solenoid Position and Number	2 position double	
Port Size	Rc 1/4	Rc 3/8
Effective Area	15 mm <sup>2</sup>	36 mm <sup>2</sup>
Working Fluid	Air	
Maximum Working Pressure	1.0MPa	
Rated Pressure	1.5MPa	
Temperature of Working Fluid	-10 to +60°C	
Oil Supply	not required	
Protection	dust-proof	
Solenoid Model (SMC Model)	VFS2200	VFS3200

\*Supply clean air through an air filter.

## OUTLINE DIMENSIONS



## OUTLINE DIMENSIONS

Model	Circuit	A	B	C	D	E	F	G	H
MV3012-1	1	75	166.5	74	Rc 1/4	Rc 1/4	Rc 1/4	Rc 1/8	G 1/2
MV3012-2	2	120	186.5	90.5				Rc 1/4	G 3/4
MV3012-3	3	150			170.5	102	Rc 3/8	G 1/2	
MV3022-1	1	90	181	132			Rc 3/8	Rc 3/8	Rc 1/2
MV3022-2	2	150							
MV3022-3	3	185							

\*Two circuit valve illustrated above.

## TYPICAL LAYOUT

