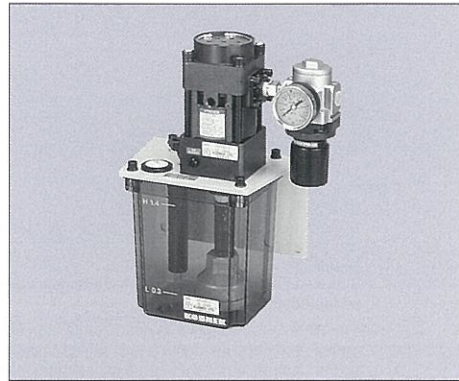
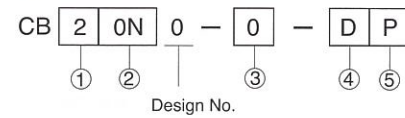


MODEL CB UNIT

CB is a compact air driven hydraulic power unit generating 24.5MPa. It is used in conjunction with non-leak type valves.



MODEL CODE



- ① Tank capacity code
2 : 2 l tank(H.L.-L.L.=1.1l)
5 : 5 l tank(H.L.-L.L.=3.1l)
- ② Normal pressure code*1
0M : 24.5 MPa
Supply air pressure 0.45 MPa
0N : 24.5 MPa
Supply air pressure 0.41MPa, for BC Unit
with temperature compensating valve
- ③ Fluid code
0 : General working fluid
(Refer to working fluid list in p24) ...Standard
S : Silicone oil
G : Water-glycol (The tank to be made of steel)
- ④ Options
Blank : Standard air regulator only
D : With filter regulator (Automatic drain type)
Q : With level switch
- ⑤ Gauge unit
Blank : Standard MPa
N : PSI unit and NPT piping exclusively used in USA
P : PSI unit and Rc piping exclusively used in USA

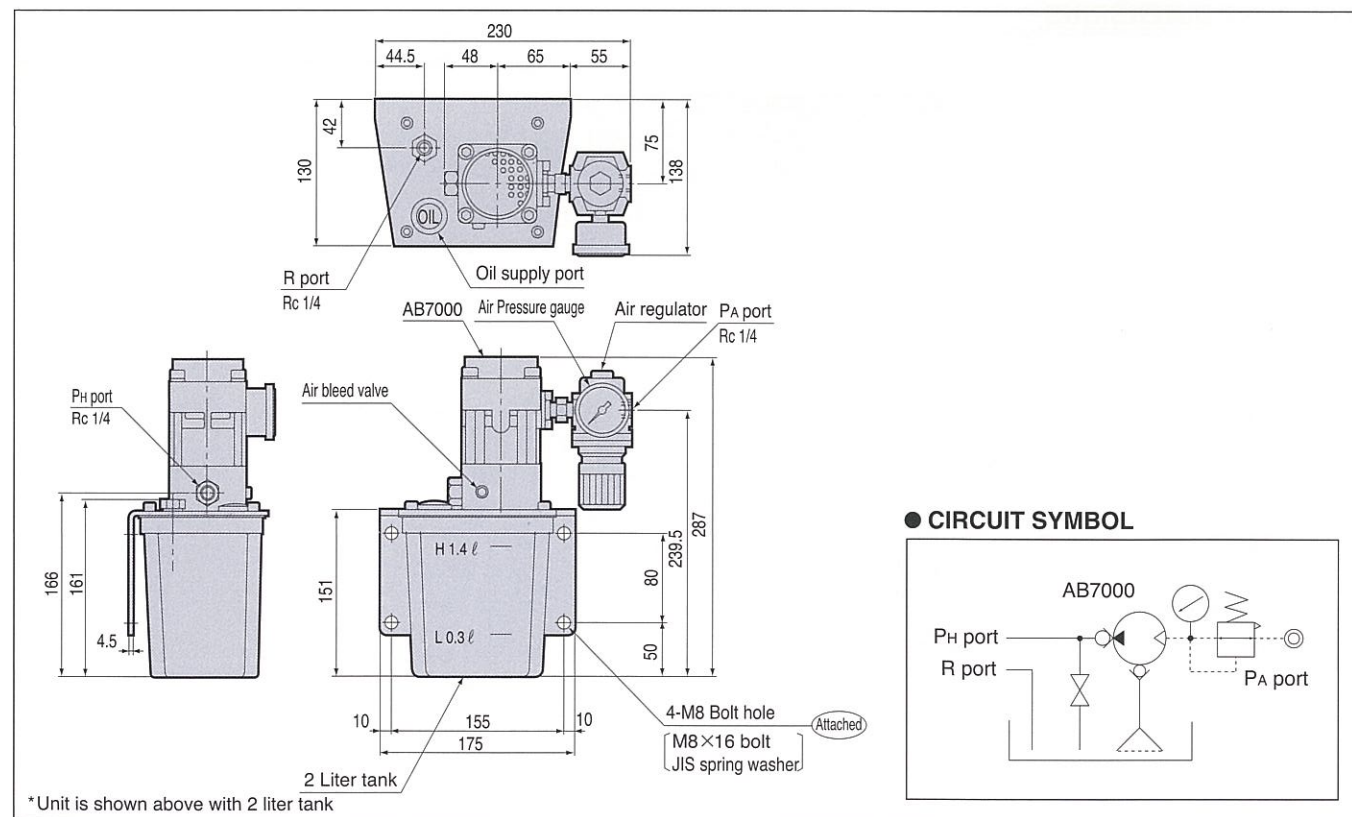
Note*1
Operating Pressure Code is classified according to the usage of the temperature relief valve of the BC unit.

SPECIFICATIONS

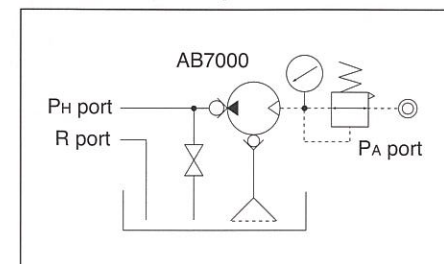
Model		CB□0M0-0	CB□0N0-0
Working Pressure	(MPa)	24.5	
Rated Pressure	(MPa)	36.8	
Tank Capacity	(cm ³)	2 : 2000	5 : 5000
Working Temperature		0 - 70°C	
Frequency of Use		2.5 min /time : 20 times / day	
Main Components	Model	AB7000-0	
	Set Discharge Pressure	24.5MPa	22.5MPa
	Discharge Volume under No Load	1.36 l/min	1.30 l/min
	Air Consumption	max. 0.4m ³ (Normal) /min	
	Set Air Pressure	0.45MPa	0.41MPa
Suction Filter	Model	JF1030	
	Filter Element	174 μm (100 mesh)	

- *1. For other fluids, consult us.
- *2. If fluid viscosity is higher, action will be slower
- *3. Action at low temperature will be slower as fluid viscosity is higher.
- *4. Auto drain type air filter should be used when air supply has moisture.
- *5. CD pump is not designed for continuous (open circuit) operation.
- *6. If used valves that have internal leakage, pump will run continuously, greatly reducing life expectancy.
We recommend KOSMEK non-leak valves.

OUTLINE DIMENSIONS



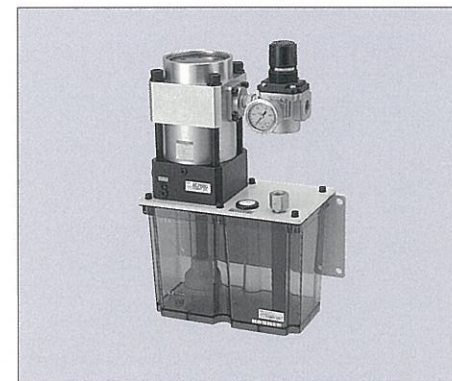
CIRCUIT SYMBOL



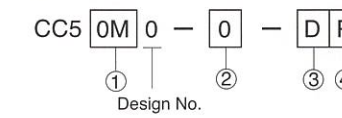
*Unit is shown above with 2 liter tank

MODEL CC UNIT

This is a high flow rate air-driven pump unit to be used in combination with a 3-port Non-leak Valve Unit (BC or BH).



MODEL CODE



NON STOCKING ITEM

- ① Normal pressure code*1
0M : 24.5 MPa
Supply air pressure 0.47 MPa
0N : 24.5 MPa
Supply air pressure 0.44 MPa, for BC Unit
with temperature compensating valve
- ② Fluid code
0 : General working fluid
(Refer to working fluid list in p24) ...Standard
S : Silicone oil
G : Water-glycol (Excluding AC8000 and AC9000)
(The tank to be made of steel)
- ③ Options
Blank : Standard air regulator only
D : With filter regulator (automatic drain type)
Q : With level switch
- ④ Gauge unit
Blank : Standard MPa
N : PSI unit and NPT piping exclusively used in USA
P : PSI unit and Rc piping exclusively used in USA

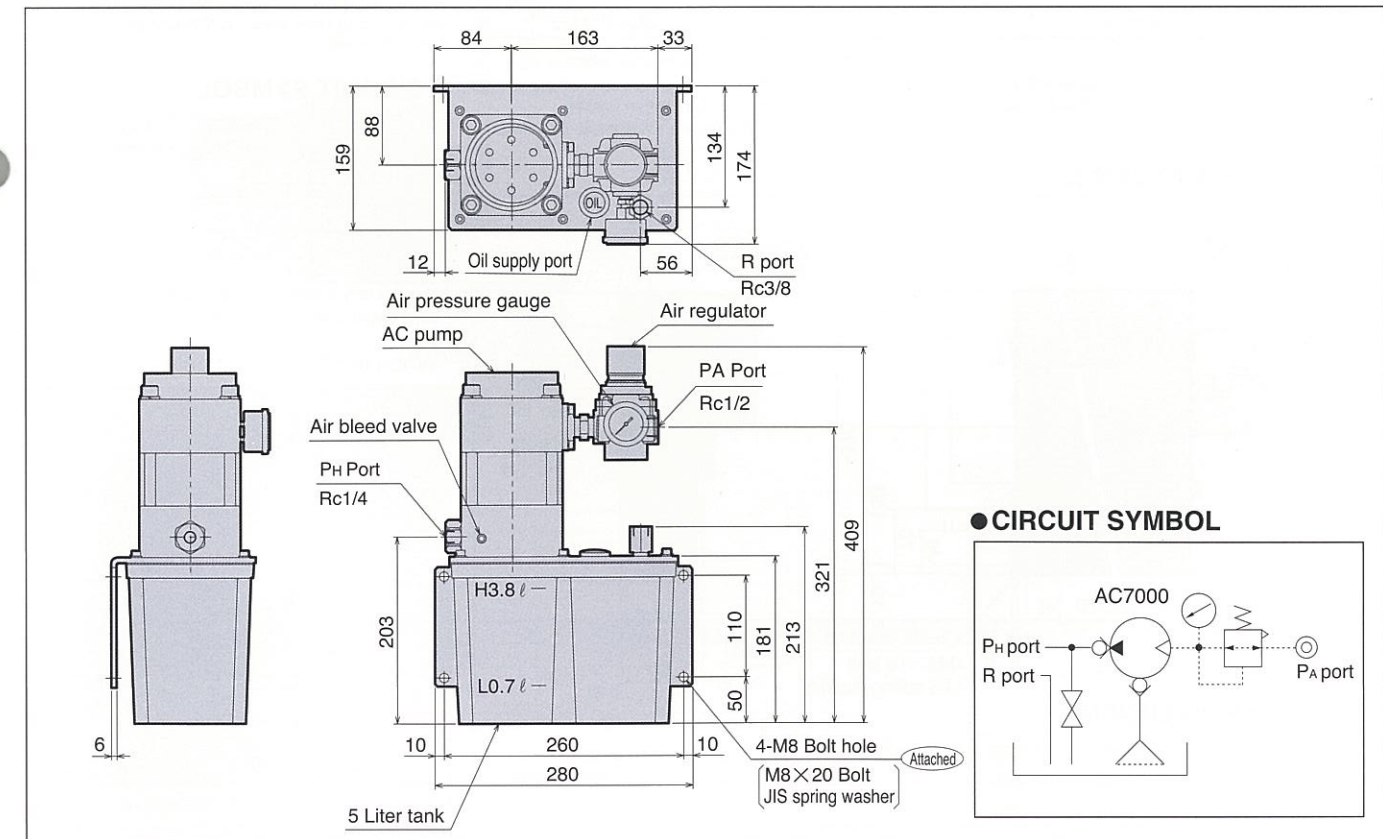
Note*1
Operating Pressure Code is classified according to the usage of the temperature relief valve of the BC unit.

SPECIFICATIONS

Model		CC50M0-0	CC50N0-0
Working Pressure	(MPa)	24.5	
Rated Pressure	(MPa)	36.8	
Tank Capacity	(cm ³)	5000	
Working Temperature		0 - 70°C	
Frequency of Use		2.5 min /time : 20 times / day	
Main Components	Model	AC7000	
	Set Discharge Pressure	24.5MPa	22.5MPa
	Discharge Volume under No Load	2.79 l/min	2.70 l/min
	Set Air Pressure	0.47MPa	0.44MPa
	Suction Filter	Model	JF1030
	Filter Element	174 μm (100 mesh)	

- *1. For other fluids, consult us.
- *2. If fluid viscosity is higher, action will be slower
- *3. Action at low temperature will be slower as fluid viscosity is higher.
- *4. Auto drain type air filter should be used when air supply has moisture.
- *5. CD pump is not designed for continuous (open circuit) operation.
- *6. If used valves that have internal leakage, pump will run continuously, greatly reducing life expectancy.
We recommend KOSMEK non-leak valves.

OUTLINE DIMENSIONS



CIRCUIT SYMBOL

