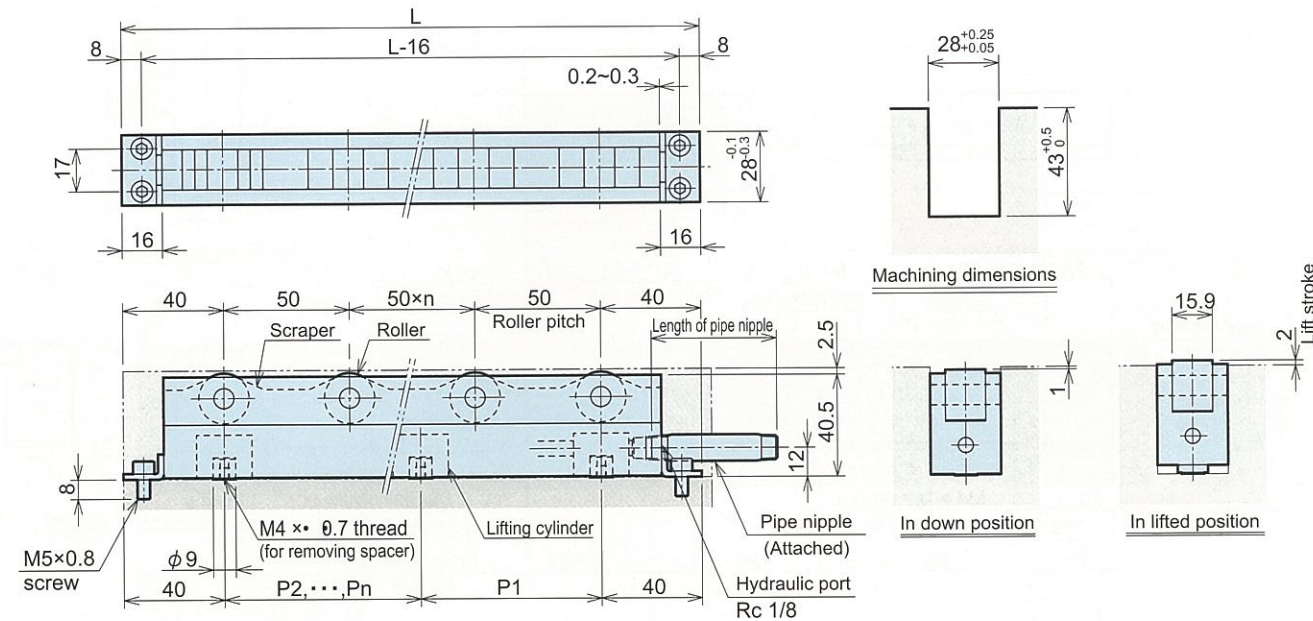


# Hydraulic die lifter

## Outline Dimensions

● RA0280-□



### Dimensions

| Model       | Total length of die lifter L (mm) | Roller qty | Allowable die weight (kg)*1 |      | Lifting cylinder |                    | Lifting cylinder pitch (mm) |     |     |     |     |     |     |  |  |  |
|-------------|-----------------------------------|------------|-----------------------------|------|------------------|--------------------|-----------------------------|-----|-----|-----|-----|-----|-----|--|--|--|
|             |                                   |            | SS400                       | S45C | Number           | Lifting force (kN) | P1                          | P2  | P3  | P4  | P5  | P6  | P7  |  |  |  |
| RA0280-180  | 180                               | 3          | 240                         | 420  |                  |                    | 100                         |     |     |     |     |     |     |  |  |  |
| RA0280-230  | 230                               | 4          | 320                         | 560  |                  |                    | 150                         |     |     |     |     |     |     |  |  |  |
| RA0280-280  | 280                               | 5          | 400                         | 700  | 2                | 9.8                | 200                         |     |     |     |     |     |     |  |  |  |
| RA0280-330  | 330                               | 6          | 480                         | 840  |                  |                    | 250                         |     |     |     |     |     |     |  |  |  |
| RA0280-380  | 380                               | 7          | 560                         | 980  |                  |                    | 300                         |     |     |     |     |     |     |  |  |  |
| RA0280-430  | 430                               | 8          | 640                         | 1120 |                  |                    | 175                         | 175 |     |     |     |     |     |  |  |  |
| RA0280-480  | 480                               | 9          | 720                         | 1260 | 3                | 14.7               | 200                         | 200 |     |     |     |     |     |  |  |  |
| RA0280-530  | 530                               | 10         | 800                         | 1400 |                  |                    | 225                         | 225 |     |     |     |     |     |  |  |  |
| RA0280-580  | 580                               | 11         | 880                         | 1540 |                  |                    | 165                         | 170 | 165 |     |     |     |     |  |  |  |
| RA0280-630  | 630                               | 12         | 960                         | 1680 | 4                | 19.6               | 180                         | 190 | 180 |     |     |     |     |  |  |  |
| RA0280-680  | 680                               | 13         | 1040                        | 1820 |                  |                    | 200                         | 200 | 200 |     |     |     |     |  |  |  |
| RA0280-730  | 730                               | 14         | 1120                        | 1960 |                  |                    | 215                         | 220 | 215 |     |     |     |     |  |  |  |
| RA0280-780  | 780                               | 15         | 1200                        | 2100 |                  |                    | 175                         | 175 | 175 | 175 |     |     |     |  |  |  |
| RA0280-830  | 830                               | 16         | 1280                        | 2240 | 5                | 24.5               | 185                         | 190 | 190 | 185 |     |     |     |  |  |  |
| RA0280-880  | 880                               | 17         | 1360                        | 2380 |                  |                    | 200                         | 200 | 200 | 200 |     |     |     |  |  |  |
| RA0280-930  | 930                               | 18         | 1440                        | 2520 |                  |                    | 170                         | 170 | 170 | 170 | 170 |     |     |  |  |  |
| RA0280-980  | 980                               | 19         | 1520                        | 2660 | 6                | 29.4               | 180                         | 180 | 180 | 180 | 180 |     |     |  |  |  |
| RA0280-1030 | 1030                              | 20         | 1600                        | 2800 |                  |                    | 190                         | 190 | 190 | 190 | 190 |     |     |  |  |  |
| RA0280-1080 | 1080                              | 21         | 1680                        | 2940 |                  |                    | 200                         | 200 | 200 | 200 | 200 |     |     |  |  |  |
| RA0280-1130 | 1130                              | 22         | 1760                        | 3080 |                  |                    | 175                         | 175 | 175 | 175 | 175 | 175 |     |  |  |  |
| RA0280-1180 | 1180                              | 23         | 1840                        | 3220 | 7                | 34.3               | 180                         | 185 | 185 | 185 | 185 | 180 |     |  |  |  |
| RA0280-1230 | 1230                              | 24         | 1920                        | 3360 |                  |                    | 190                         | 190 | 195 | 195 | 190 | 190 |     |  |  |  |
| RA0280-1280 | 1280                              | 25         | 2000                        | 3500 |                  |                    | 200                         | 200 | 200 | 200 | 200 | 200 |     |  |  |  |
| RA0280-1330 | 1330                              | 26         | 2080                        | 3640 |                  |                    | 175                         | 180 | 180 | 180 | 180 | 180 | 175 |  |  |  |
| RA0280-1380 | 1380                              | 27         | 2160                        | 3780 | 8                | 39.2               | 185                         | 186 | 186 | 186 | 186 | 186 | 185 |  |  |  |
| RA0280-1430 | 1430                              | 28         | 2240                        | 3920 |                  |                    | 190                         | 194 | 194 | 194 | 194 | 194 | 190 |  |  |  |
| RA0280-1480 | 1480                              | 29         | 2320                        | 4060 |                  |                    | 200                         | 200 | 200 | 200 | 200 | 200 | 200 |  |  |  |

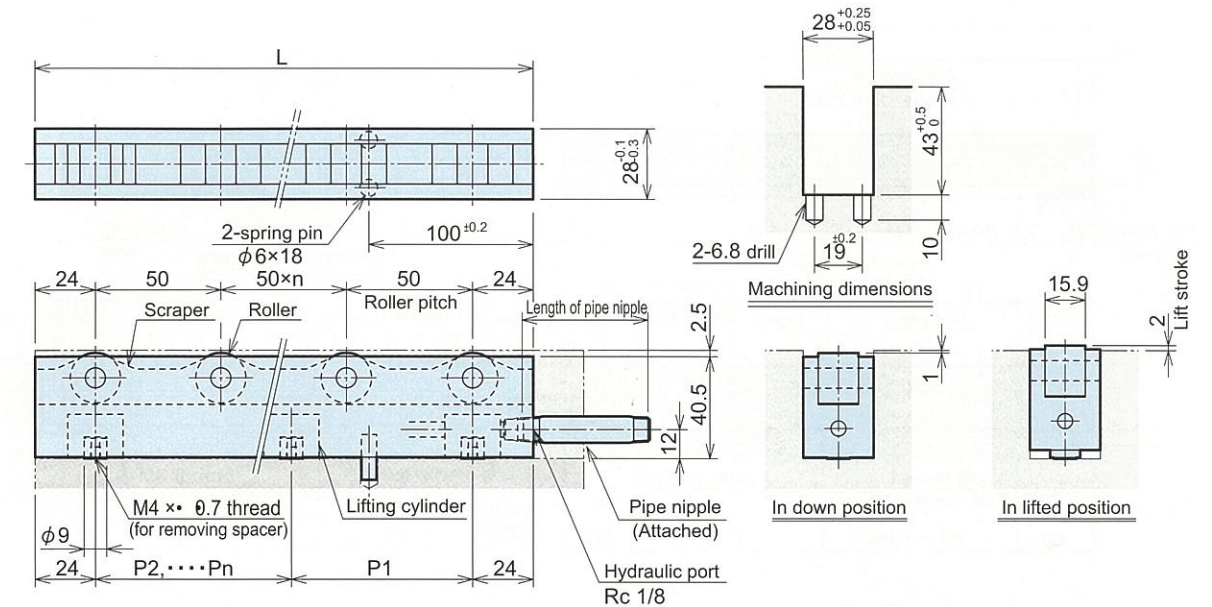
#### Remarks

\*1. The allowable die weight is for when the die rests on all the flat rollers.  
For crowned rollers (option J) calculate allowable weight from the values shown in the specifications table.

# model RA0280

## Outline Dimensions

● RA0280-□-G



### Dimensions

| Model         | Total length of die lifter L (mm) | Roller qty | Allowable die weight (kg)*1 |      | Lifting cylinder |                    | Lifting cylinder pitch (mm) |     |     |     |     |     |     |  |  |  |
|---------------|-----------------------------------|------------|-----------------------------|------|------------------|--------------------|-----------------------------|-----|-----|-----|-----|-----|-----|--|--|--|
|               |                                   |            | SS400                       | S45C | Number           | Lifting force (kN) | P1                          | P2  | P3  | P4  | P5  | P6  | P7  |  |  |  |
| RA0280-148-G  | 148                               | 3          | 240                         | 420  |                  |                    | 100                         |     |     |     |     |     |     |  |  |  |
| RA0280-198-G  | 198                               | 4          | 320                         | 560  |                  |                    | 150                         |     |     |     |     |     |     |  |  |  |
| RA0280-248-G  | 248                               | 5          | 400                         | 700  | 2                | 9.8                | 200                         |     |     |     |     |     |     |  |  |  |
| RA0280-298-G  | 298                               | 6          | 480                         | 840  |                  |                    | 250                         |     |     |     |     |     |     |  |  |  |
| RA0280-348-G  | 348                               | 7          | 560                         | 980  |                  |                    | 300                         |     |     |     |     |     |     |  |  |  |
| RA0280-398-G  | 398                               | 8          | 640                         | 1120 |                  |                    | 175                         | 175 |     |     |     |     |     |  |  |  |
| RA0280-448-G  | 448                               | 9          | 720                         | 1260 | 3                | 14.7               | 200                         | 200 |     |     |     |     |     |  |  |  |
| RA0280-498-G  | 498                               | 10         | 800                         | 1400 |                  |                    | 225                         | 225 |     |     |     |     |     |  |  |  |
| RA0280-548-G  | 548                               | 11         | 880                         | 1540 |                  |                    | 165                         | 170 | 165 |     |     |     |     |  |  |  |
| RA0280-598-G  | 598                               | 12         | 960                         | 1680 | 4                | 19.6               | 180                         | 190 | 180 |     |     |     |     |  |  |  |
| RA0280-648-G  | 648                               | 13         | 1040                        | 1820 |                  |                    | 200                         | 200 | 200 |     |     |     |     |  |  |  |
| RA0280-698-G  | 698                               | 14         | 1120                        | 1960 |                  |                    | 215                         | 220 | 215 |     |     |     |     |  |  |  |
| RA0280-748-G  | 748                               | 15         | 1200                        | 2100 |                  |                    | 175                         | 175 | 175 | 175 |     |     |     |  |  |  |
| RA0280-798-G  | 798                               | 16         | 1280                        | 2240 | 5                | 24.5               | 185                         | 190 | 190 | 185 |     |     |     |  |  |  |
| RA0280-848-G  | 848                               | 17         | 1360                        | 2380 |                  |                    | 200                         | 200 | 200 | 200 |     |     |     |  |  |  |
| RA0280-898-G  | 898                               | 18         | 1440                        | 2520 |                  |                    | 170                         | 170 | 170 | 170 | 170 |     |     |  |  |  |
| RA0280-948-G  | 948                               | 19         | 1520                        | 2660 | 6                | 29.4               | 180                         | 180 | 180 | 180 | 180 |     |     |  |  |  |
| RA0280-998-G  | 998                               | 20         | 1600                        | 2800 |                  |                    | 190                         | 190 | 190 | 190 | 190 |     |     |  |  |  |
| RA0280-1048-G | 1048                              | 21         | 1680                        | 2940 |                  |                    | 200                         | 200 | 200 | 200 | 200 |     |     |  |  |  |
| RA0280-1098-G | 1098                              | 22         | 1760                        | 3080 |                  |                    | 175                         | 175 | 175 | 175 | 175 | 175 |     |  |  |  |
| RA0280-1148-G | 1148                              | 23         | 1840                        | 3220 | 7                | 34.3               | 180                         | 185 | 185 | 185 | 185 | 180 |     |  |  |  |
| RA0280-1198-G | 1198                              | 24         | 1920                        | 3360 |                  |                    | 190                         | 190 | 195 | 195 | 190 | 190 |     |  |  |  |
| RA0280-1248-G | 1248                              | 25         | 2000                        | 3500 |                  |                    | 200                         | 200 | 200 | 200 | 200 | 200 |     |  |  |  |
| RA0280-1298-G | 1298                              | 26         | 2080                        | 3640 |                  |                    | 175                         | 180 | 180 | 180 | 180 | 180 | 175 |  |  |  |
| RA0280-1348-G | 1348                              | 27         | 2160                        | 3780 | 8                | 39.2               | 185                         | 186 | 186 | 186 | 186 | 186 | 185 |  |  |  |
| RA0280-1398-G | 1398                              | 28         | 2240                        | 3920 |                  |                    | 190                         | 194 | 194 | 194 | 194 | 194 | 190 |  |  |  |
| RA0280-1448-G | 1448                              | 29         | 2320                        | 4060 |                  |                    | 200                         | 200 | 200 | 200 | 200 | 200 | 200 |  |  |  |

#### Remarks

\*1. The allowable die weight is for when the die rests on all the flat rollers.  
For crowned rollers (option J) calculate allowable weight from the values shown in the specifications table.