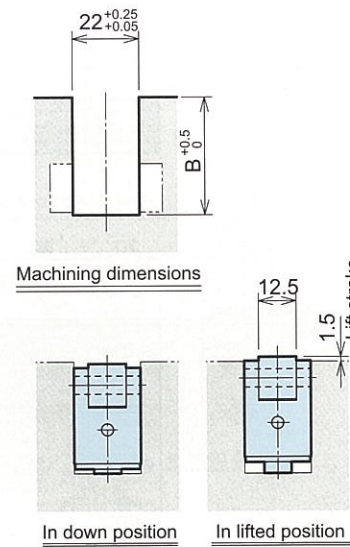
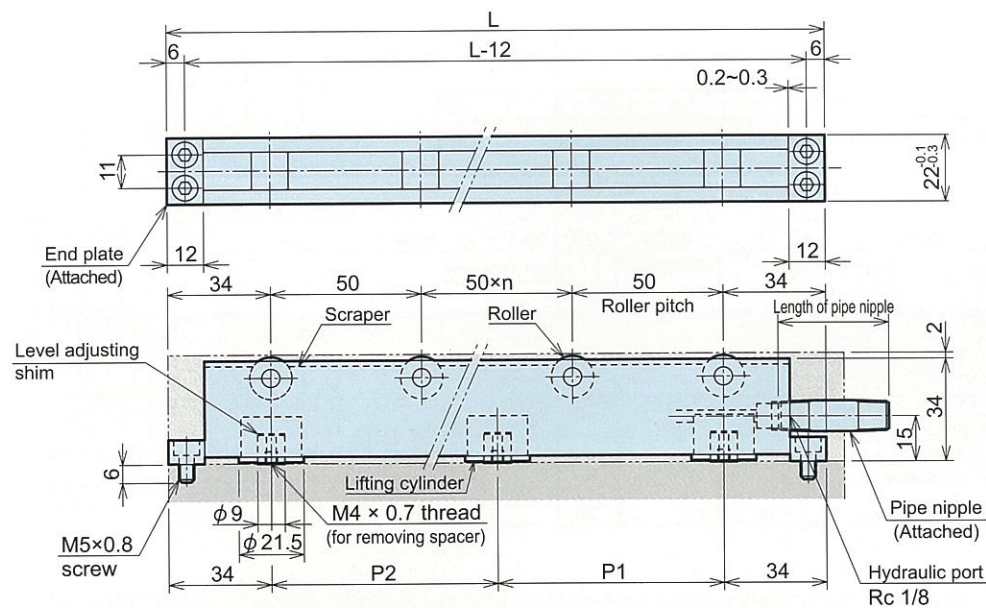
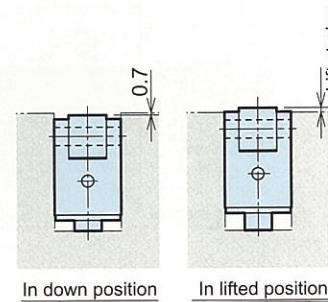
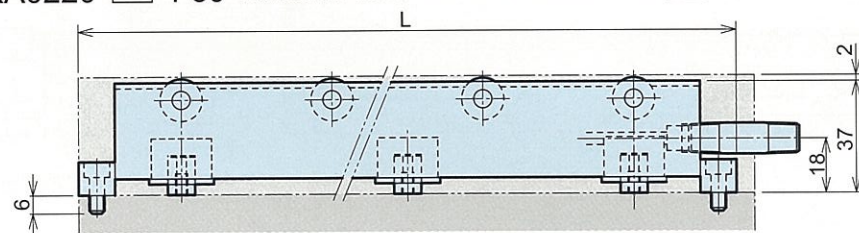


Outline Dimensions

● RA0220-□-F36



● RA0220-□-F39 Dimensions not listed are the same as RA0220-□-F36.



● Dimensions

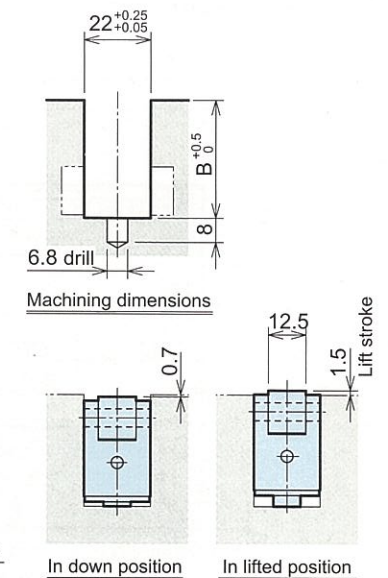
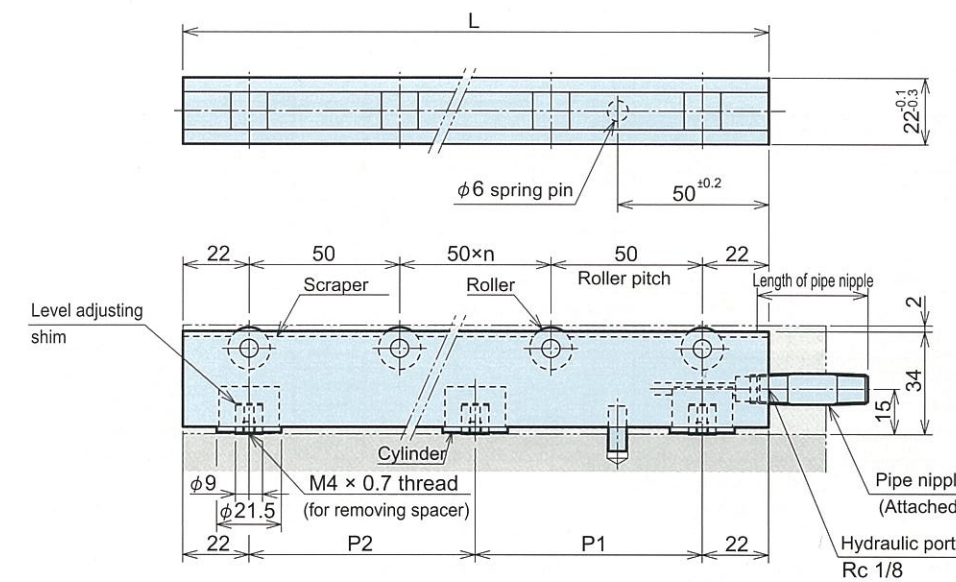
Model	Total length of die lifter L (mm)	Roller qty	Allowable die weight (kg) ^{*1}		Lifting cylinder		Lifting cylinder pitch (mm)	
			SS400	S45C	Number	Lifting force (kN)	P1	P2
RA0220-168	168	3	135	240	2	7.6	100	/
RA0220-218	218	4	180	320			150	
RA0220-268	268	5	225	400			200	
RA0220-318	318	6	270	480			250	
RA0220-368	368	7	315	560			300	
RA0220-418	418	8	360	640			175	
RA0220-468	468	9	405	720	200	200		
RA0220-518	518	10	450	800	225	225		
RA0220-568	568	11	495	880	3	11.4	250	250
RA0220-618	618	12	540	960			275	
RA0220-668	668	13	585	1040			300	
RA0220-718	718	14	630	1120			325	

Remarks

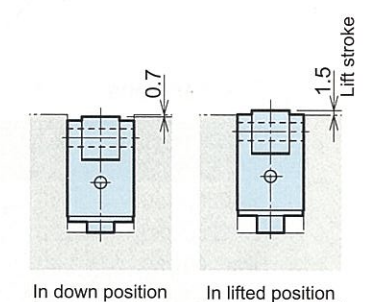
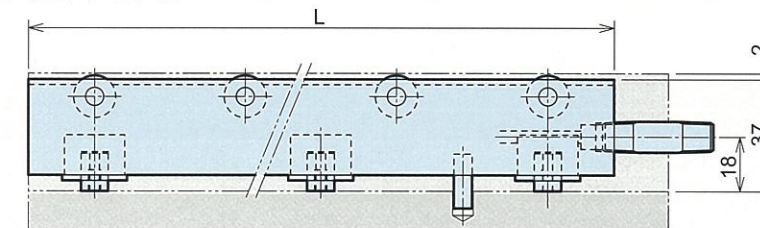
*1. The allowable die weight is for when the die rests on all the flat rollers.
If the crowning roller specifications (optional model J) are used, calculate the allowable weight using the figures in the specifications column.

Outline Dimensions

● RA0220-□-F36-G



● RA0220-□-F39-G Dimensions not listed are the same as RA0220-□-F36-G.



● Dimensions

Model	Total length of die lifter L (mm)	Roller qty	Allowable die weight (kg) ^{*1}		Lifting cylinder		Lifting cylinder pitch (mm)	
			SS400	S45C	Number	Lifting force (kN)	P1	P2
RA0220-144-G	144	3	135	240	2	7.6	100	/
RA0220-194-G	194	4	180	320			150	
RA0220-244-G	244	5	225	400			200	
RA0220-294-G	294	6	270	480			250	
RA0220-344-G	344	7	315	560			300	
RA0220-394-G	394	8	360	640			175	
RA0220-444-G	444	9	405	720	200	200		
RA0220-494-G	494	10	450	800	225	225		
RA0220-544-G	544	11	495	880	3	11.4	250	250
RA0220-594-G	594	12	540	960			275	
RA0220-644-G	644	13	585	1040			300	
RA0220-694-G	694	14	630	1120			325	

Remarks

*1. The allowable die weight is for when the die rests on all the flat rollers.
If the crowning roller specifications (optional model J) are used, calculate the allowable weight using the figures in the specifications column.