

## Specifications

Magnet type		8	5
Attractive force	kN	10	3.5
Magnet block dimensions	mm	□80	□50
Plate thickness	mm	54	35
Working temperature (mold contact surface)	°C	0 ~ 120 (180°C for high temperature specifications)*1	
Magnetic flux height (depth of penetration on mold side)	mm	20	10
Mold fault detection distance	mm	0.2 or more *2	
Working voltage	V(AC)	200/230/400/460~480 ( 50/60 Hz )	
Conduction time	sec.	1.4	

\*1.High temperature specifications are for 80 mm magnet blocks only.  
\*2.Adjustments may be made for different molds and various conditions.

## Magnetic plate

### Model Code (fixed and movable platens are combined)

MEK 045 0 - 8 S 07001

1 2 3 4 5

#### 1 Molding machine clamping force

O35 : 350 kN ( 35 tf )  
350 : 3500 kN ( 350 tf )  
15H : 15000 kN ( 1500 tf )

#### 2 Design No.

\*Numbers may change when interchangeability is lost due to changes in dimensions or major specifications.

#### 3 Magnet block dimensions

8 : □80mm ( Nominal attractive force 10.0 kN )  
5 : □50mm ( Nominal attractive force 3.5 kN )

#### 4 Working temperature (mold contact surface)

S : Standard specifications( 0 ~ 120 °C )  
U : High temperature specifications( 0 ~ 180 °C )

#### 5 SER.No.

Shipment control number for customer.

## Molding Machine Capacity and Standard Attractive Force

Magnet block dimensions	Applicable forming machine( kN )	Attractive force( kN )		Power consumption ( kVA ) *3
		Movable platen	Fixed platen	
□50	300	28	28	12
	550	42	35	"
	1100	84	70	"
	1500	126	112	12
	850	80	60	17
	1100	100	80	"
	1500	120	100	"
	2000	160	140	"
□80	2500	200	160	"
	2800	240	200	"
	3500	280	240	"
	4500	360	320	17
	5500	440	400	17 [ 34 ]
	6500	520	460	"
	8500	680	600	"
	10000	800	680	17 [ 34 ]
	13000	1040	880	17 [ 68 ]
	16000	1320	1160	17 [ 68 ]
30000	2260	1960	68 [ 136 ]	

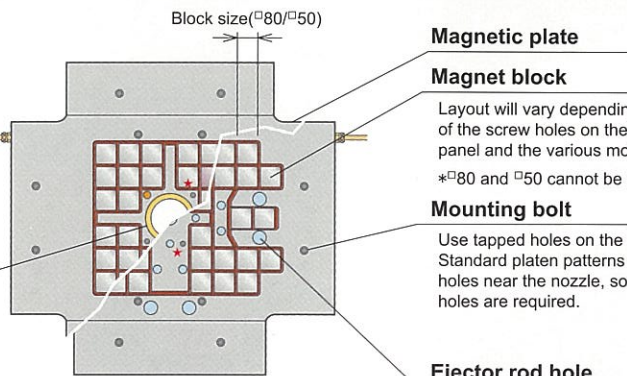
\*3.Shows the power required for switching between magnetizing and de-magnetizing. Almost no power is consumed during the production. Figures in parenthesis ( ) are for when the electric current is supplied in parallel to the magnetic plate. Cycle time can be reduced.

#### Connector cable

Connector cables are, in principle, used on the non operation side of the molding machine. Depending on the number of connectors, it may be necessary to use the operation side as well.

#### Locating ring

(Fixed platen side)  
We will manufacture the locating ring according to the customer's or the machine manufacturer's specifications. The mechanism is such that they may be replaced as a consumable supply.



#### Magnetic plate

#### Magnet block

Layout will vary depending on the position of the screw holes on the molding machine panel and the various mold conditions.

\*□80 and □50 cannot be used together.

#### Mounting bolt

Use tapped holes on the machine platen. Standard platen patterns don't include holes near the nozzle, so additional tapped holes are required.

#### Ejector rod hole

(Movable platen side)  
Match with the molding machine platen specifications.

## Operation Control Panel

### Model Code

YMB05 1 - V MEK 1 - N

1 2 3 4 5

#### 1 Design No.

\*Numbers may change when interchangeability is lost due to changes in dimensions or major specifications.

#### 2 Mold delivery method

V : Vertical insertion method (crane)  
H : Horizontal insertion method (dolly)  
\*Vertical and horizontal insertion methods are not combined.

#### 3 For magnetic clamping

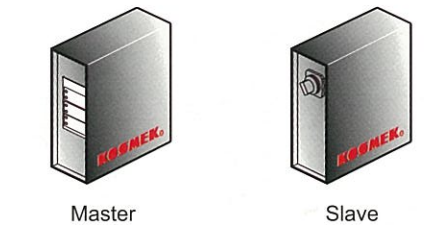
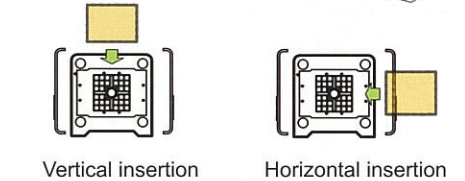
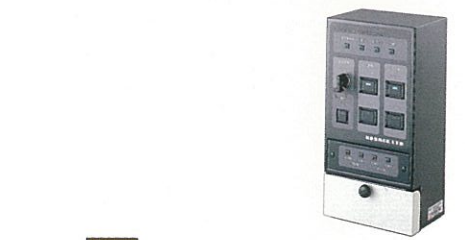
\*See the separate catalogs for other clamping methods.

#### 4 Power unit configuration \*4

1 : Master+Slave×1 ( 4500kN class )  
2 : Master+Slave×2 ( 10000kN class )  
3 : Master+Slave×4 ( 20000kN class )  
4 : Master+Slave×8 ( 30000kN class )

#### 5 Special codes

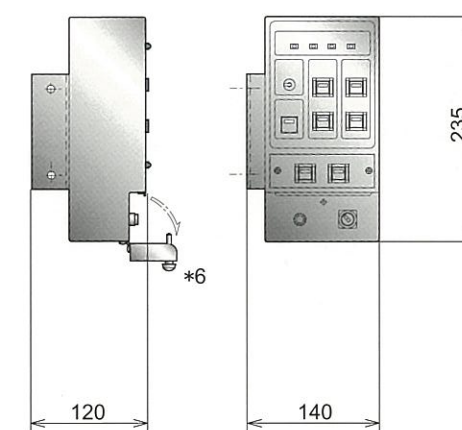
N : English label \*5



\*4.The number of slaves will vary depending on the number of magnets in the configuration. Figures in parenthesis ( ) show the reference clamping force of the applicable molding machine.  
\*5.Specifications and other documents will also be in English, and measurements will be in inches and pounds.

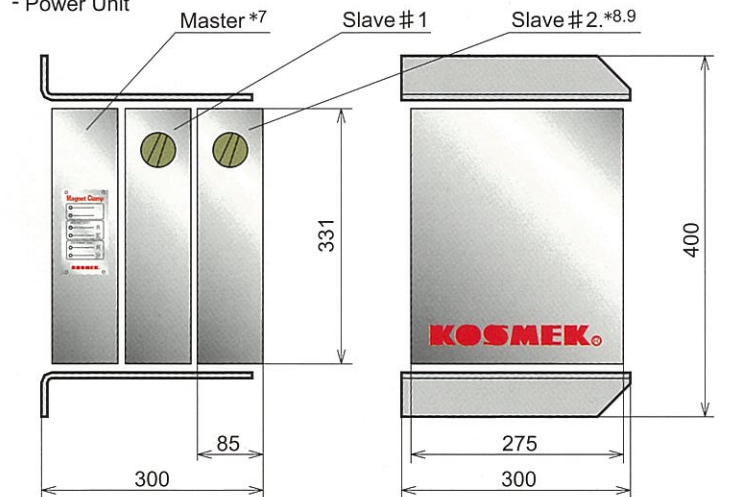
## Outline Dimensions

### - Operation Control Panel



\*6.The drawing shows the bottom cover open.

### - Power Unit



\*7.Fault indicator lamps are provided on the masters.  
\*8.The number of slaves will vary depending on the molding machine capacity.  
\*9.Main power switches are provided on the slaves.

## Interlock (interface)

Molding machine output	Description	Molding machine input	Description
Mold set mode	Signal indicating machine is in set-up (mold setting) mode. Machine opens and closes slowly.	Mold open OK	Signal showing clamping system is ready for mold to open.
Mold Closed	Signal showing mold is completely clamped. Prohibits release (de-magnetizing) operation when mold is open to prevent it from falling out.	Mold close OK	Signal showing clamping system is ready for mold to close.
Nozzle retraction limit	Signal showing nozzle or injection unit has been retracted. Prevents nozzle from being damaged when removing mold.	Mold Change ON	Signal showing mold is currently being replaced in clamping system.
Ejector retraction limit	Signal showing ejector has been retracted. Prevents ejector from being damaged when removing mold.	Clamp fault	Signal that detects clamping system faults and forces emergency stop of molding machine.
		Pressure Request (Pump Load)	A request to increase pressure so that machine can build tonnage on mold during mold change.

#### Remarks

①Signal delivery is at the dry contact point. ④Names of parts may vary depending on the manufacturer of the molding machine.  
②Use output contact for micro signal for the molding machine. ( DC24V 10mA ) ⑤Contact us for information about input and output (special features) not listed above.  
③Rating of operation control panel output contact is DC 24 V 0.5 A.